

Omega Series for seawater applications

Automatic self-cleaning multi-screen filter series provides higher efficiency and smaller footprint combines Amiad's superior Suction Scanning mechanism with a multi-screen design.



flowrates

**200 m³/h up to 5,000 m³/h
(880 gpm up to 22,000 gpm)**

filtration degrees

500-10 micron

inlet/outlet diameter

8" - 32"

minimum operating pressure

2 bar (28 psi)

features:

- Based on Amiad's proven suction scanning screen filtration technology
- Highly efficient self-cleaning mechanism; fine filtration performances, down to 10 micron
- Significant cost reduction per filtered cubic meter of water
- Smaller footprint
- Higher flow per unit
- ASME / Exd / Exe design optional
- Applications: Membrane Protection, Ballast Water, Oil&Gas, Industrial Water and Irrigation

How the Omega Filter Works

General

The Amiad Omega Series are automatic filters, with multiple screens operated by a single electric self-cleaning mechanism. The “Omega” filters range in flowrates of up to 5,000 m³/h (22,000 gpm) and from 500-10 micron filtration degree. Inlet/Outlet flanges are available from 8”-24” diameter.

The Filtration Process

Raw water enters from the filter inlet and passes through the multi-screens. Clean water flows through the filter outlet. The gradual dirt buildup on the inner multi screen surface causes a filter cake to develop, with a corresponding increase in the pressure differential across the multi-screens. A pressure differential switch senses the pressure differential and when it reaches a pre-set value, the self-cleaning process begins.

The Self-Cleaning Process

Cleaning of the filter is carried out by multiple suction scanners with an option for SLN (Spring Loaded Nozzles) which scans across the multi-screens by a common gear operated by up to 3 electric motors. The DP switch signals to open the exhaust valves creating a high velocity suction stream at the nozzle tip which “vacuums” the filter cake from the multi screens. During the self-cleaning process, which takes approximately 25 seconds, filtered water continues to flow downstream.

The Control System

The Omega operation and cleaning cycle is controlled and monitored by a Programmable Logic Control (PLC). The PLC allows maximum flexibility in control options and is provided with a wide range of control options from a local independent stand alone controller to a fully integrated with the customer central control system. During the self-cleaning cycle the PLC controls a solenoid that operates the exhaust valves by means of an hydraulic command or compressed air.

The self-cleaning cycle begins under any one of the following conditions:

1. Receiving a signal from the Pressure Differential Switch
2. Time interval parameter set at the control board
3. Manual Start

The control board also provides:

- Optional continuous flush mode
- Flush cycles counter
- Alarm output – may be used to open a bypass, shut-off a pump, etc.

Omega Models:

Amiad’s Omega product line consists of the following models:

- Omega I Standard 13,500 cm² & Enlarged (E) 18,000 cm²
- Omega II Standard 27,000 cm² & Enlarged (E) 36,000 cm²
- Omega III Standard 54,000 cm² & Enlarged (E) 72,000 cm²
- Omega IV Standard 81,000 cm² & Enlarged (E) 108,000 cm²

Omega I/Omega II (Omega SeaWater)

Technical Specifications (flow data at 40 micron)

Filter Type	Omega I	Omega I E	Omega II	Omega II E
General Data				
Maximum flowrate *	270 m ³ /h	360 m ³ /h	550 m ³ /h	730 m ³ /h
Minimum working pressure	2 bar		2 bar	
Maximum working pressure	10 bar (16 bar upon request)		10 bar (16 bar upon request)	
Inlet/Outlet diameter	8" – 12" (Flange standards as per request)		10" - 20" (Flange standards as per request)	
Filter housing	610 mm [24"]		813 mm [32"]	
Weight [empty]	450 kg	520 kg	800 kg	925 kg

* At high TSS load, flow reduction might be considered.

Flushing Data				
Exhaust valve	3"	3"	4"	6"
Flushing cycle time	25 sec		25 sec	
Reject water volume per flush cycle	280 liter	350 liter	480 liter	560 liter
Minimum flow for flushing	40 m ³ /h	50 m ³ /h	70 m ³ /h	80 m ³ /h

Control and Electricity **				
Control voltage	24 VAC,		24 VAC,	
Electric motor	1 HP – 0.74kW		1 HP – 0.74kW	
Rated operation voltage	3 phase, 220/380/440 VAC 50/60 Hz		3 phase, 220/380/440 VAC 50/60 Hz	
Current consumption	2.1 Amp		2.1 Amp	

** Control board is available upon request.

Construction Materials				
Filter housing	Carbon steel, Polyamine epoxy coating inside, epoxy coating outside			
Filter lid	Carbon steel, Polyamine epoxy coating inside, epoxy coating outside			
Screens	Weavewire 316L or SMO 254			
Cleaning mechanism	Stainless steel 316L or SMO 254			
Exhaust valve	Epoxy-coated cast iron, natural rubber			
Seals	Synthetic rubber, NBR			
Control	Stainless steel, nylon			

Standard Filtration Degrees

316 or SMO 254 Stainless Steel Weavewire Screen

micron	500	300	200	130	100	80	50	40	25	10
mm	0.5	0.3	0.2	0.13	0.1	0.08	0.05	0.04	0.02	0.01
mesh	30	50	75	120	155	200	300	350	450	600

Omega III/Omega IV (Omega SeaWater)

Technical Specifications (flow data at 40 micron)

Filter Type	Omega III	Omega III E	Omega IV	Omega IV E
General Data				
Maximum flowrate *	1100 m ³ /h	1450 m ³ /h	1650 m ³ /h	2200 m ³ /h
Minimum working pressure	2 bar		2 bar	
Maximum working pressure	10 bar (16 bar upon request)		10 bar (16 bar upon request)	
Inlet/Outlet diameter	14" - 24" (Flange standards as per request)		18" - 32" (Flange standards as per request)	
Filter housing	1200 mm (48")		1380 mm (55")	
Weight [empty]	1200 kg	1500 kg	1800 kg	2000 kg

* At high TSS load, flow reduction might be considered.

Flushing Data				
Exhaust valve	2x4"	2x6"	3x4"	3x6"
Flushing cycle time	2x25 sec	2x25 sec	3x25 sec	3x25 sec
Reject water volume per flush cycle	2x480 liter	2x560 liter	3x480 liter	3x560 liter
Minimum flow for flushing	2x70 m ³ /h	2x80 m ³ /h	3x70 m ³ /h	3x80 m ³ /h

Control and Electricity**				
Control voltage	24 VAC,		24 VAC,	
Electric motor	2x(1 HP - 0.74kW)		3x(1 HP - 0.74kW)	
Rated operation voltage	3 phase, 220/380/440 VAC 50/60 Hz		3 phase, 220/380/440 VAC 50/60 Hz	
Current consumption	2x2.1 Amp		3x2.1 Amp	

** Control board is available upon request.

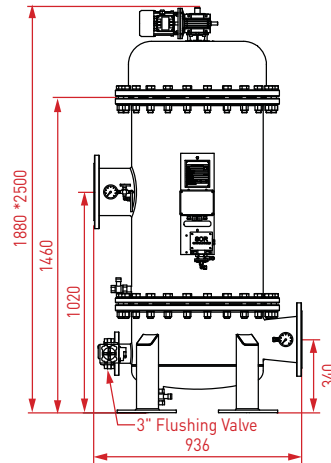
Construction Materials	
Filter housing	Carbon steel, Polyamine epoxy coating inside, epoxy coating outside
Filter lid	Carbon steel, Polyamine epoxy coating inside, epoxy coating outside
Screens	Weavewire 316L or SMO 254
Cleaning mechanism	Stainless steel 316L or SMO 254
Exhaust valve	Epoxy-coated cast iron, natural rubber
Seals	Synthetic rubber, NBR
Control	Stainless steel, nylon

Standard Filtration Degrees										
316 or SMO 254 Stainless Steel Weavewire Screen										
micron	500	300	200	130	100	80	50	40	25	10
mm	0.5	0.3	0.2	0.13	0.1	0.08	0.05	0.04	0.02	0.01
mesh	30	50	75	120	155	200	300	350	450	600

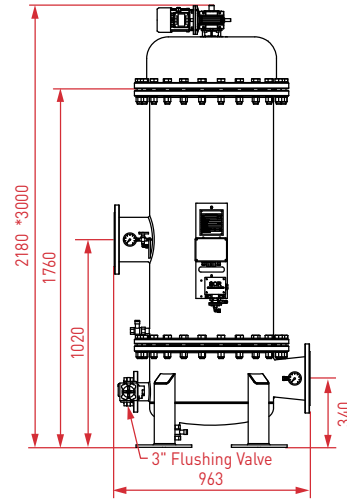
Omega I



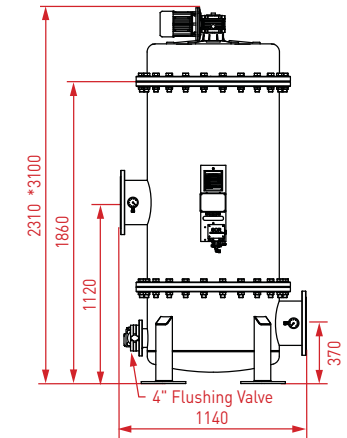
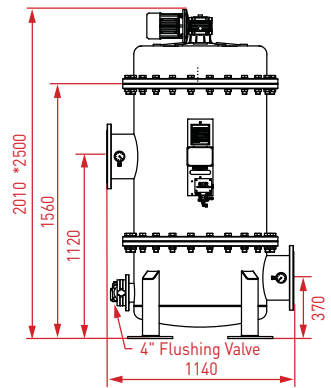
Standard Models



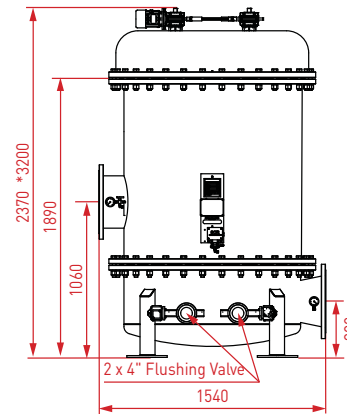
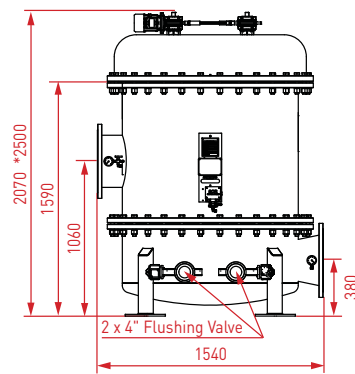
Extended Models



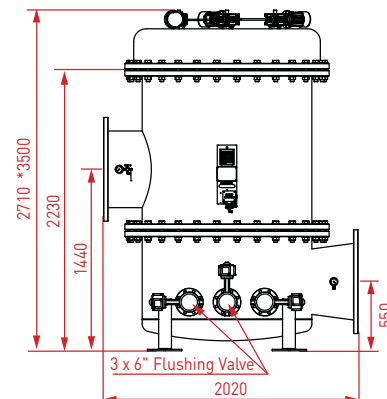
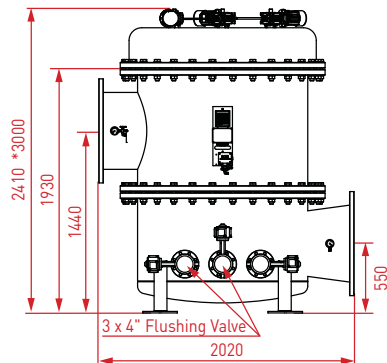
Omega II



Omega III



Omega IV



Dim. in mm

*Approx. length required for maintenance.

Headquarters

Amiad Water Systems Ltd. D.N. Galil Elyon 1, 1233500, Israel,
Tel: 972 4 690 9500, Fax: 972 4 814 1159,
E-mail: info@amiad.com

America



Amiad USA Inc. Main Office and Manufacturing: 120-J Talbert Road, Mooresville, NC 28117,
Tel: 1 704 662 3133, Fax: 1 704 662 3155, Toll Free: 1 800 24 FILTER,
E-mail: info@amiadusa.com www.amiadusa.com

West Coast Sales Office and Warehouse:
2220 Celsius Avenue, Oxnard, California 93030
Tel: 805 988 3323, Fax: 805 988 3313, Toll Free: 1 800 969 4055

Chile

Amiad Andina, Carretera General San Martín 16.500 No 30,
Loteo Industrial Los Libertadores, Colina, Santiago de Chile,
Tel: 56 2 24895100, Fax: 56 2 24895101, E-mail: amiadandina@amiad.com

Brazil

Amiad Sistemas de Água Ltda., Av. Funchal, 411, Conj. 42, Vila Olimpia, São Paulo, CEP 04551-060
Tel: +55 11 31923824, E-mail: infobrasil@amiad.com

Amiad Oil & Gas, E-mail: amisur@adinet.com.uy

Mexico

Amiad Mexico SA DE CV,
Priv. Retorno 8, Lote 3, Mza. 1, Interlomas Estado de Mexico
Tel/Fax: +52 55 636 28122, E-mail: info@amiadmexico.com

Asia



India

Amiad Filtration India Pvt Limited, 305 Sai Commercial Building,
Govandi St Rd, Govandi Mumbai 400 088,
Tel: 91 22-67997813/14, Fax: 91 22-67997814, Email: info@amiadindia.com

China

Amiad China (Yixing Taixing Environtec Co., Ltd.) 70 Baihe Chang, Xingjie Yixing Jiangsu, 214204,
Tel: 86 510 87134000, Fax: 86 510 87134999, E-mail: marketing@taixing.cc

South-East Asia

Filtration & Control Systems Pte. Ltd., 19B Teo Hong Road, 088330 Singapore,
Tel: 65 6 337 6698, Fax: 65 6 337 8180, E-mail: amiad@amiad.com.sg

Australia



Amiad Australia Pty Ltd. 138 Northcorp Boulevard, Broadmeadows, Victoria 3047,
Tel: 61 3 93585800, Fax: 61 3 93585888, E-mail: sales@amiad.com.au

Europe



Amiad Water Systems Europe SAS, Ilot No4 ZI La Boitardière, 37530 Chargé, France,
Tel: 33 (0) 2 47 23 01 10, Fax: 33 (0) 2 47 23 80 67, E-mail: info@amiad-europe.com

Germany

Amiad Water Systems SAS Europe (German branch office)
Zweigniederlassung Deutschland Prinz-Regent-Str. 68 a 44795 Bochum,
Tel: 49 (0) 234 588082-0, Fax: 49 (0) 234 588082-10, E-mail: info@amiad.de

Turkey

FTS – Filtration & Treatment Systems, Istanbul yolu 26 Km, Yurt Orta Sanayii, Saray, Ankara,
Tel: 90 312 8155266/7, Fax: 90 312 8155248, E-mail: info@fts-filtration.com